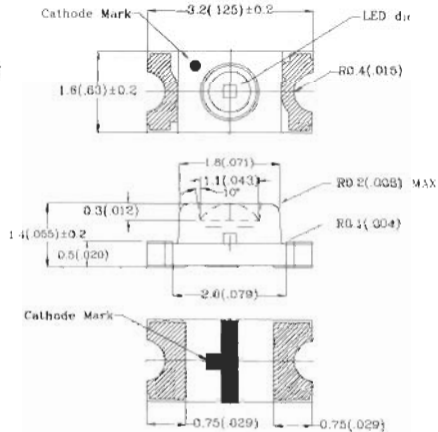
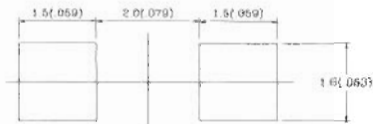




Anode Mark For R2 / R3 / R4



For reflow soldering



NOTE:

1. All dimensions are in millimeters (inches).
2. Tolerance is ± 0.10 (.004") unless otherwise specified.
3. Specifications are subject to change without notice.

Absolute Maximum Ratings ($T_a = 25^\circ\text{C}$)

| | UNIT | SPEC. |
|------|------|----------|
| IF | mA | 30 |
| IFp | mA | 100 |
| VR | V | 5 |
| Topr | °C | -25 ~ 80 |
| Tstg | °C | -30 ~ 85 |