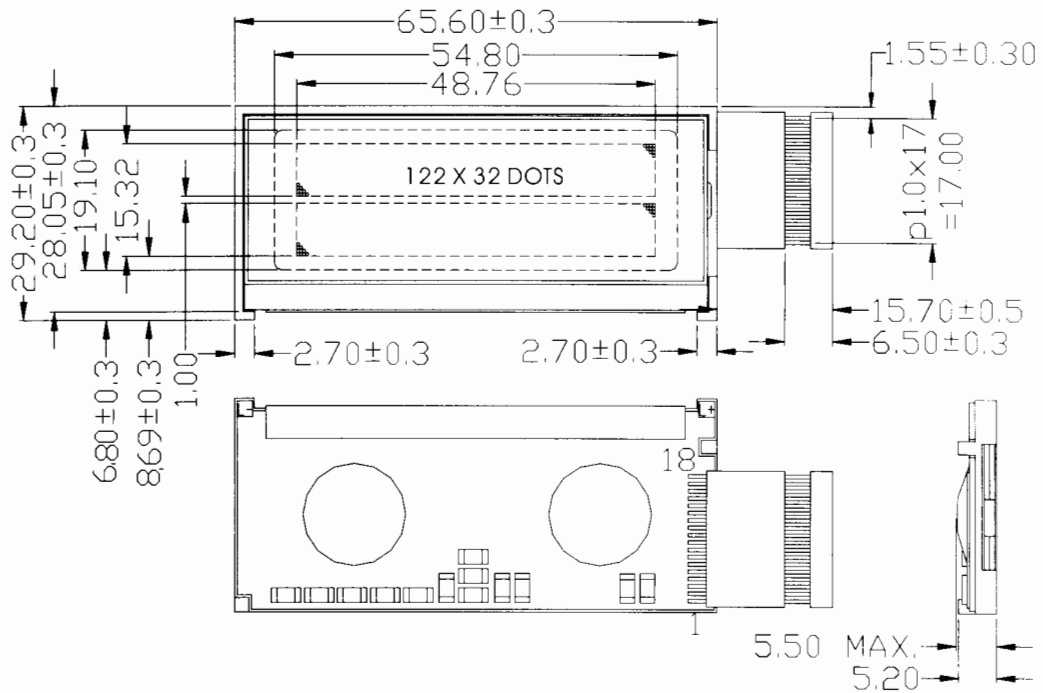
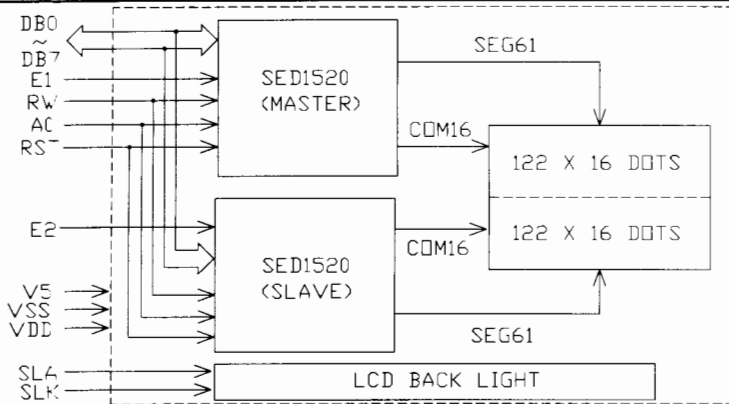


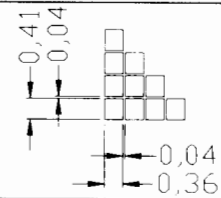
OUTLINE DIMENSION



BLOCK DIAGRAM



DISPLAY PATTERN



MECHANICAL SPECIFICATION

Item	Dimensions (W) X (H)	Unit
Overall Size	65.6 X 29.2	MM
View Area	54.8 X 19.1	MM
Dot Size	0.36 X 0.41	MM
Dot Pitch	0.40 X 0.45	MM

PIN ASSIGNMENT

Pin no.	Symbol	Function
1	V _{DD}	Power supply (+)
2	V _{SS}	Power Supply (GND)
3	V _{LCD}	Contrast Adjust
4	RST	Reset system
5	E1	Enable driver 1
6	E2	Enable driver 2
7	R/W	Data read / write
8	A0	Data/Instruction signal
9~16	DB0 ~ DB7	Data bus line
17	SLA	Side light anode
18	SLK	Side light cathode

ABSOLUTE MAXIMUM RATING

Item	Symbol	Condition	Min.	Max.	Unit
Supply for logic voltage	V _{DD}	25°C	0	6.7	V
LCD driving supply voltage	V _{DD-V_O}	25°C	0	10	V
Input voltage	V _I	25°C	0	V _{DD}	V

ELECTRICAL CHARACTERISTICS

Item	Symbol	Condition	Min.	Typical	Max.	Unit
Supply voltage for logic	V _{DD}	---	2.7	3.0	4.5	V
Supply current for logic	I _{DD}	---	---	0.3	1.0	mA
Operation voltage for LCD	V _{DD-V_O}	0°C	5.2	5.5	5.8	V
		25°C	5.1	5.4	5.7	V
		50°C	4.9	5.2	5.5	V
Input voltage "H" level	V _{IH}	---	0.8 V _{DD}	---	V _{DD}	V
Input voltage "L" level	V _{IL}	---	0	---	0.2 V _{DD}	V
Supply voltage for back light	V _F	---	---	2.1	2.6	V
Supply current for back light	I _F	V _F =2.1V	---	120	200	mA

REMARKS:

- LCD options: STN, FSTN.
- Back light Options: EL Back light feature, other Specs not available on catalog is under request.