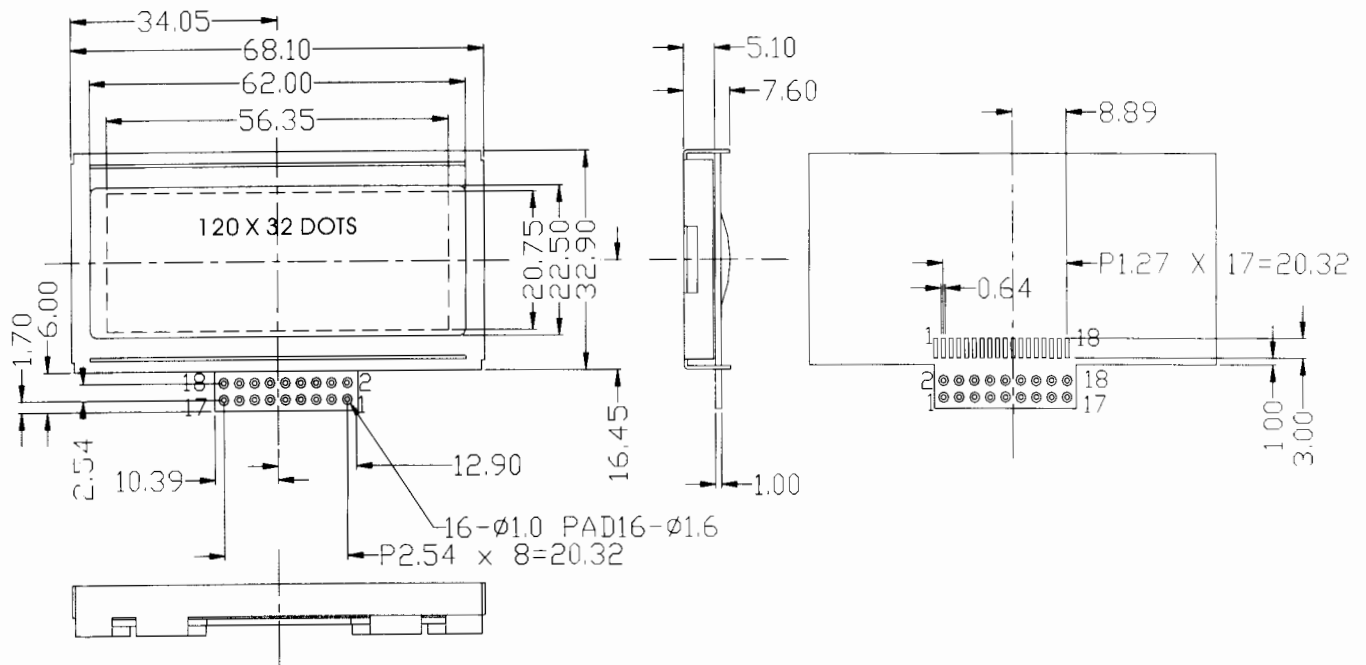
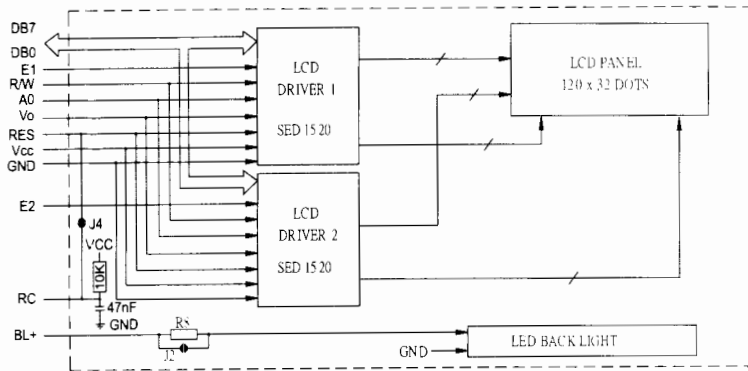


OUTLINE DIMENSION

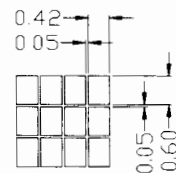


Graphic Type

BLOCK DIAGRAM



DISPLAY PATTERN



MECHANICAL SPECIFICATION

Item	Dimensions (w) X (H)	Unit
Overall Size	68.1 x 38.9	MM
View Area	62.0 x 22.5	MM
Dot Size	0.42 x 0.60	MM
Dot Pitch	0.47 x 0.65	MM

PIN ASSIGNMENT

Pin no.	Symbol	Function
1	RST	Reset Signal
2	RC	
3	Vss	Power Supply (GND)
4	VDD	Power supply (+)
5	VO	Contract Adjust
6	AO	Command data input
7	R/W	Data read / write
8	E1	Enable driver 1
9	E2	Enable driver 2
10	BL+	Back light anode
11 ~ 18	DB0 ~ DB7	Data bus line

ABSOLUTE MAXIMUM RATING

Item	Symbol	Condition	Min.	Max.	Unit
Supply for logic voltage	V _{DD} - V _{SS}	25°C	-0.3	8.0	V
LCD driving supply voltage	V _{DD} - V _{EE}	25°C	-0.3	16.5	V
Input voltage	V _I	25°C	-0.3	V _{DD} +0.3	V

ELECTRICAL CHARACTERISTICS

Item	Symbol	Condition	Min.	Typical	Max.	Unit			
Power Supply voltage	V _{DD} - V _{SS}	25°C	2.7	---	5.5	V			
LCD operation voltage	V _{op}	Top	N	W	N	W	V		
		-20°C	---	5.6	---	6	6.3	V	
		0°C	5.3	---	5.7	---	6.1	V	
		25°C	5.0	5.6	5.4	5.9	5.8	6.2	V
		50°C	4.7	---	5.1	---	5.5	V	
		70°C	---	5.3	---	5.6	---	5.9	V
LCM current consumption (No B/L)	I _{dd}	V _{DD} =5v	---	1.0	2.5	MA			
Back light current consumption	LED/edge	VB/L=4.2V	---	100	---	MA			
	LED/array	VB/L=4.2V	---	---	---	mA			

REMARKS:

- LCD options: STN, FSTN.
- Back light Options: EL Back light feature, other Specs not available on catalog is under request.